

Humanized technology comes alive.



# Viva

**zummo**



NEW

# Viva

by Zummo

A new concept in citrus squeezing has arrived. Viva brings new value to your establishment, an innovative concept that combines design with the most cutting-edge technology. Maximum performance for your business. Maximum style.



Savannah Brown

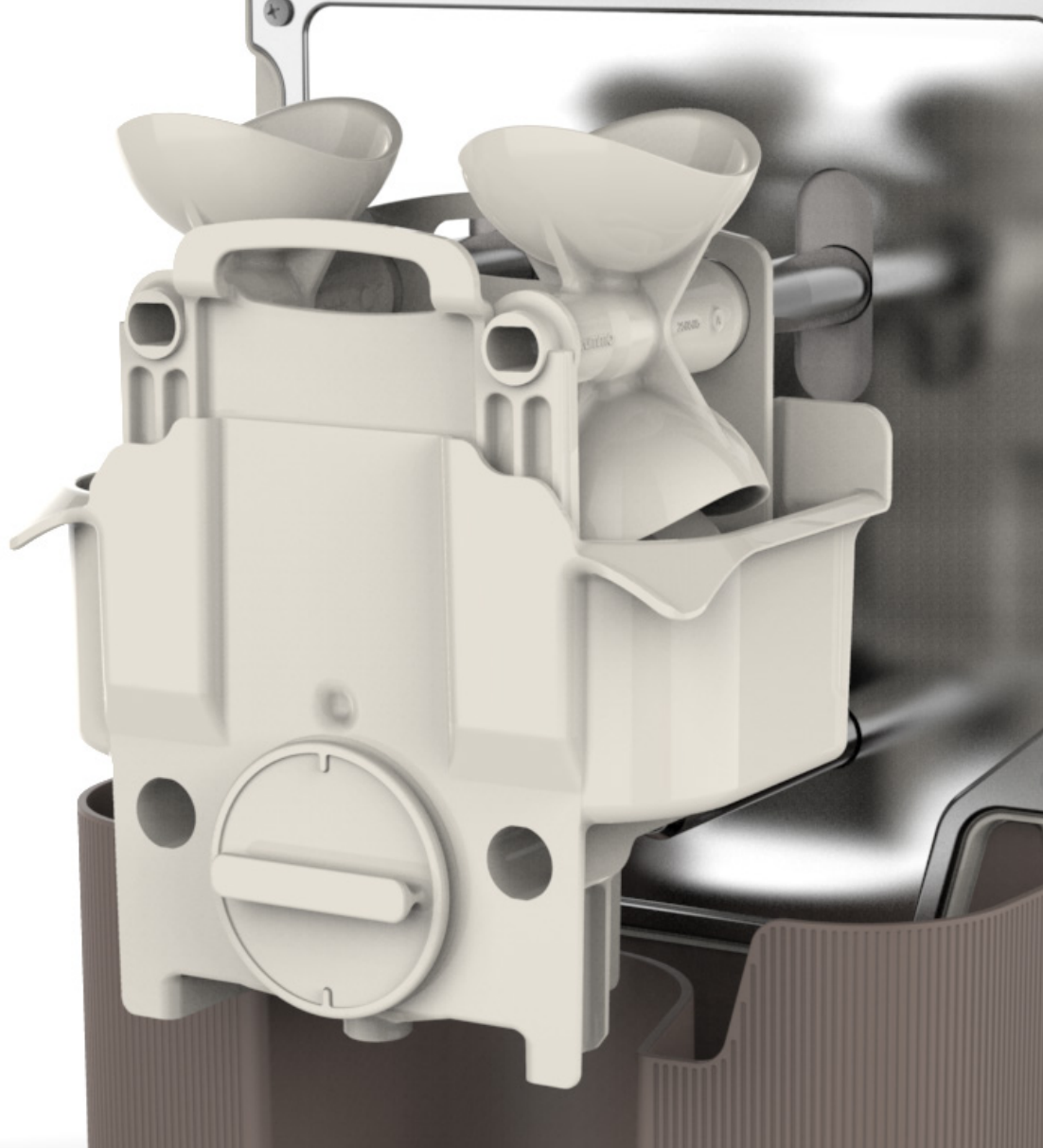


Midnight Black



Forest Green





## Two modes of use

### AUTO

#### Automatic mode

Squeezing is activated when oranges are detected in the fruit dispenser.

### ▷/||

#### Manual mode

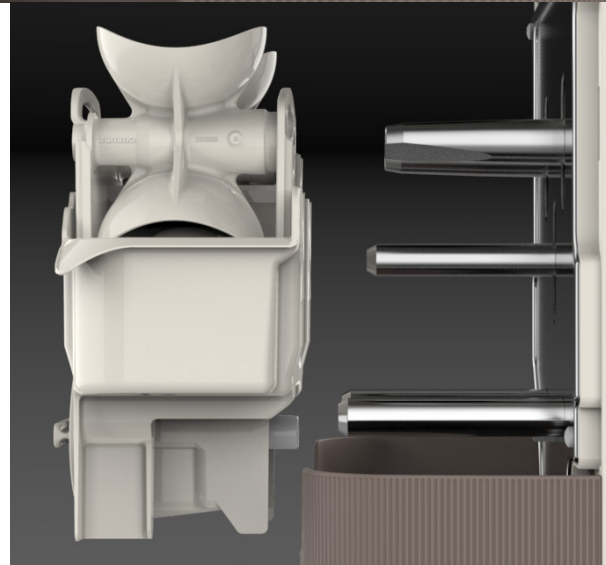
Control the squeezing by yourself using the Play/Pause button.



## EQS™

### Exchange Quick System

With that intuitive system, the EVS squeezing kit is grouped into a single block minimising the number of parts. Easily assemble and disassemble the squeezing kit in one easy movement. Save time and turn it into profit.



## Rediscover Silence

At Zummo we have developed a new traction system based on independent motors. This system reduces the mechanical friction between parts and minimises the noise level.



## Fruit dispenser

Up to 1.5 kg of fruit in the minimum space. Its sloping design makes it easy to load the fruit and makes it highly visible, creating an eye-catcher in your business.

NEW

## Zummo Sync

### Geolocation

Manage your machine fleet in a simple and efficient way.

### Productivity metrics

Increase the profitability of your business thanks to the main consumption and performance indicators.

### Status indicators

Always know how your juicer is doing to give the best service to your customers and interact with Viva from anywhere to change its status.

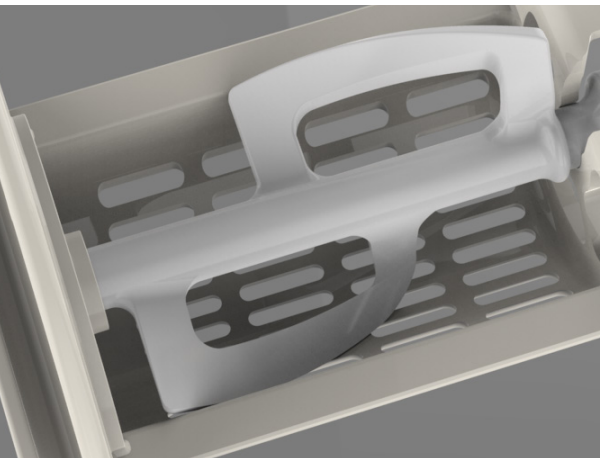
### Preventive and predictive maintenance

Increase the life of your juicer and the quality of your juice thanks to constant monitoring of the most important parameters.



# Automatic filter

An innovative rotating design which guarantees the highest quality and purity of the juice.



Explore new possibilities.

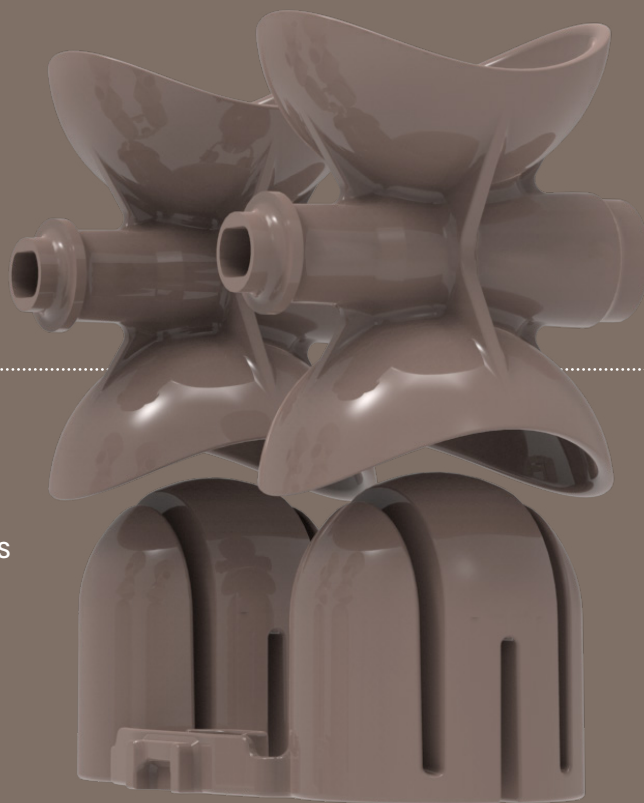
Experience with tastes, make juices from different citrus fruits and amaze your customers.

# Squeezing kits

## Kit S (Optional)

Ø 43-62mm

Special for  Limes  
 Tangerines



## Kit M (Serie)

Ø 58-80mm

Special for  Oranges  
 Lemons

