



# XEBC-04EU-EPLM

Project \_\_\_\_\_

Item \_\_\_\_\_

Quantity \_\_\_\_\_

Date \_\_\_\_\_

## Model

**BAKERTOP MIND.Maps™ PLUS COUNTERTOP**

|   |                         |
|---|-------------------------|
| Combi oven  | Electric                |
| 4 trays 600x400                                   | Hinge on the right side |
| 9.5" Touch control panel                          |                         |
| Voltage: 380-415V 3N~ / 220-240V 3~ / 220-240V 1~ |                         |



## Description

Technologically advanced combi oven for fresh or frozen baking processes and for gastronomy cooking processes (dehydrating, steaming, low temperature baking, sous vide cooking, roasting, grilling, pan frying, regeneration and plate regeneration) thanks to Unox Intensive Cooking and Intelligence Performance technologies which guarantee perfect results and repeatability for any load size. Automatic management of cooking processes (CHEFUNOX) for perfect results even without a trained staff.

## Standard cooking features

### Programs

- **1000+** Programs
- **CHEFUNOX**: choose something to cook from the library and the oven will automatically set all the parameters
- **MULTI.TIME**: manages up to 10 cooking processes at the same time
- **MISE.EN.PLACE**: synchronises the insertion of pans so that all the dishes are ready at the same time
- **MIND.Maps™**: draw the cooking processes directly on the display
- **READY.BAKE**: ready to use settings with infinite time for a quick start

### Manual cooking

- **Temperature**: 30 °C – 260 °C
- Up to 9 cooking steps
- **CLIMA.Control**: humidity or dry air set by 10%
- Delta T cooking with core probe
- **MULTI.Point** core probe with 4 measuring points
- **SOUS-VIDE** core probe with 2 measuring points (optional accessory)

## Advanced and automatic cooking features

### Unox Intelligent Performance

- **ADAPTIVE.Cooking™**: automatically regulates the cooking parameters to ensure repeatable results
- **CLIMALUX™**: total control of the humidity in the cooking chamber
- **SMART.Preheating**: automatically sets the preheating temperature and duration
- **AUTO.Soft**: manages the heat rise to make it more delicate
- **SENSE.Klean**: estimates how dirty the oven is and suggests the appropriate automatic washing cycle

### Unox Intensive Cooking

- **DRY.Maxi™**: rapidly extracts the humidity from the cooking chamber
- **STEAM.Maxi™**: produces saturated steam
- **AIR.Maxi™**: manage fans auto-reverse and pulse function
- **PRESSURE.Steam**: increases the steam saturation and temperature



# XEBC-04EU-EPLM

## Key features

- **ROTOR.Klean™**: automatic washing system
- Automatic special washing behind the fan guard
- Cooking chamber in high-resistance AISI 304 stainless steel with rounded edges
- Triple glass
- Cooking chamber lighting through LED lights embedded in the door
- Tray supports with anti-tip system
- Drip collection system integrated in the door which works even when the door is open
- 4-speed fan system and high-performance heating elements
- Integrated DET&Rinse™ detergent container
- Integrated Wi-Fi
- **Wi-Fi / USB data**: download/upload HACCP data
- **Wi-Fi / USB data**: download/upload programs

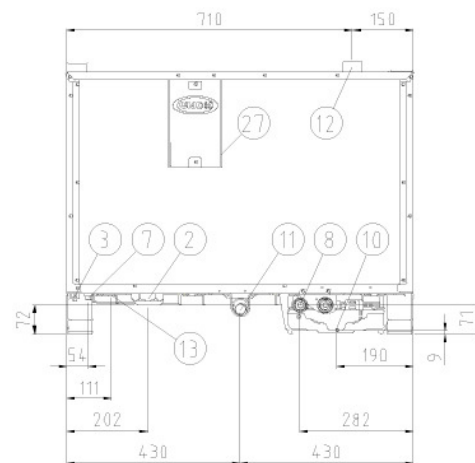
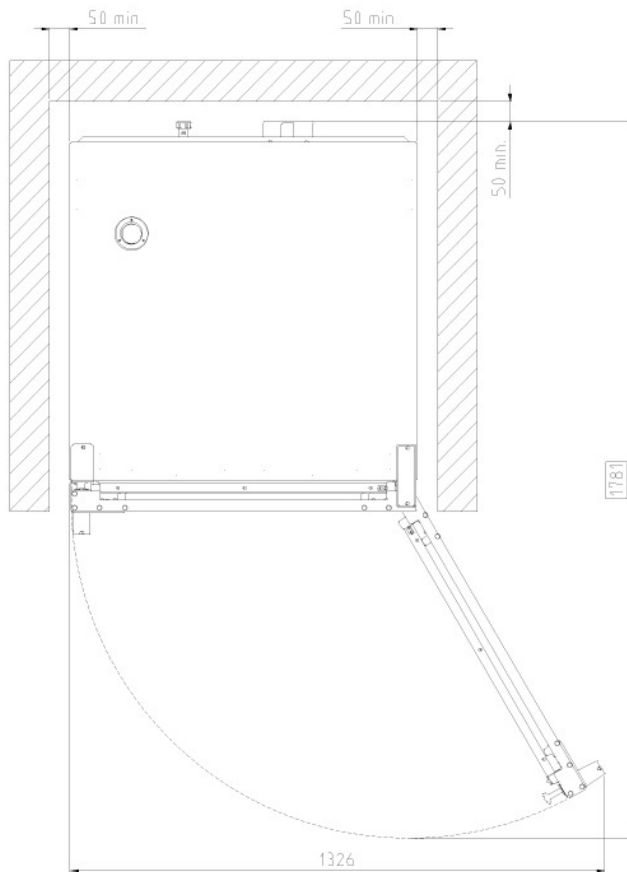
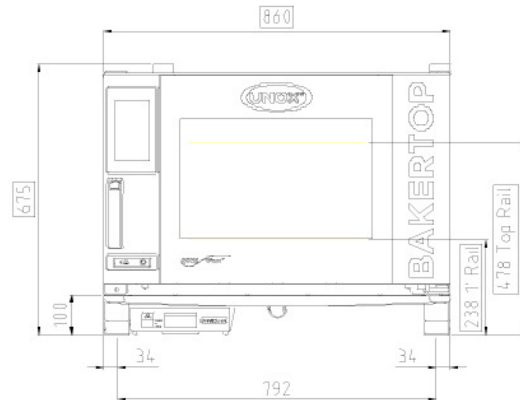
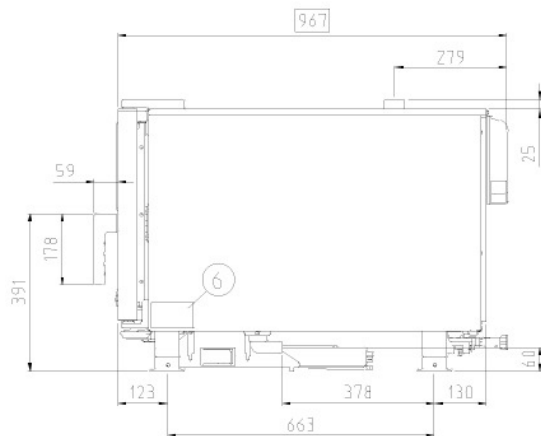
## App and web services

- **Data Driven Cooking app & webapp**: check and monitor in real-time the operating conditions of your ovens, create and share new recipes. Artificial intelligence transforms consumption data into useful information and allows you to increase daily profits
- **Top Training app**: download the Unox Top.Training app and learn step by step all the secrets of your new oven's control panel

## Accessories

- **Ventless hood**: steam condensing hood
- **Waterless hood**: filters odours and absorbs latent heat coming out of the cooking chamber without using water
- **Activated Carbon filter for waterless hoods**:
- **STEAM.Boost**: high capacity heat storage system that allows your oven to produce, if required, 50% more steam during the crucial minutes of the baking process
- **SMART.Drain**: its functioning is based on a special two-way valve that collects any fat and cooking liquids created during the cooking program and drains them into a tank
- **DECKTOP**: traditional baking on stone, convection baking and combi cooking
- **LIEVOX**: Proofer equipped with sensors capable to control and intervene automatically on the leavening process
- **Neutral cabinet**: recommended solution to optimize your kitchen layout and always have everything in the right place
- **Stand**: the multifunctional support ideal for storing trays safely and placing your oven at the perfect height to work
- QUICK.Load and trolley system
- **Baking Essentials**: special trays
- **DET&Rinse™ PLUS**: cleaning and rinse agents to combine maximum cleanliness with minimum consumption and long life for your oven
- **DET&Rinse™ ECO**: eco formula for daily cleaning and the utmost respect for the environment. Ideal for mild level of dirt.
- **DET&Rinse™ ULTRA**: cleaning and rinse agents to combine maximum cleanliness with minimum consumption and long life for your oven
- **PURE**: resin-based filtering system that eliminates from the water all substances that contribute to the formation of limescale inside the oven cooking chamber
- **PURE-RO**: Reverse osmosis system that eliminates Chlorides and limescale from water
- Ethernet connection kit

# XEBC-04EU-EPLM



## Dimensions and weight

|            |        |
|------------|--------|
| Width      | 860 mm |
| Depth      | 967 mm |
| Height     | 675 mm |
| Net weight | 95 kg  |
| Tray pitch | 80 mm  |

## Connection positions

|    |                             |
|----|-----------------------------|
| 2  | Terminal board power supply |
| 3  | Unipotential terminal       |
| 6  | Technical data plate        |
| 7  | Safety thermostat           |
| 8  | 3/4" female NPT water inlet |
| 10 | Rotor.KLEAN™ inlet          |

|    |                           |
|----|---------------------------|
| 11 | Chamber drain pipe        |
| 12 | Hot fumes exhaust chimney |
| 13 | Accessories connection    |
| 27 | Cooling air outlet        |



# XEBC-04EU-EPLM

## Electrical power supply

### STANDARD

|                           |                          |
|---------------------------|--------------------------|
| Voltage                   | 380-415 V                |
| Phase                     | ~3PH+N+PE                |
| Frequency                 | 50 / 60 Hz               |
| Total power               | 10,6 kW                  |
| Max Amp draw              | 20 A                     |
| Required breaker size     | 25 A                     |
| Power cable requirements* | 5G x 2,5 mm <sup>2</sup> |
| Plug                      | NOT INCLUDED             |

### OPTION A

|                           |                        |
|---------------------------|------------------------|
| Voltage                   | 220-240 V **           |
| Phase                     | ~3PH+PE                |
| Frequency                 | 50 / 60 Hz             |
| Total power               | 10,6 kW                |
| Max Amp draw              | 25 A                   |
| Required breaker size     | 40 A                   |
| Power cable requirements* | 4G x 6 mm <sup>2</sup> |
| Plug                      | NOT INCLUDED           |

### \*\*Electric connection kit

|         |           |
|---------|-----------|
| Item    | XUC129    |
| Voltage | 220-240 V |
| Phase   | ~3PH+PE   |

### OPTION B

|                           |                         |
|---------------------------|-------------------------|
| Voltage                   | 220-240 V               |
| Phase                     | ~1PH+PE                 |
| Frequency                 | 50 / 60 Hz              |
| Total power               | 10,6 kW                 |
| Max Amp draw              | 47.5 A                  |
| Required breaker size     | 50 A                    |
| Power cable requirements* | 3G x 10 mm <sup>2</sup> |
| Plug                      | NOT INCLUDED            |

\*Recommended size - observe local ordinance. Cable not included.

## Water Supply

USING A WATER SUPPLY THAT DOES NOT MEET UNOX'S MINIMUM WATER QUALITY STANDARDS WILL VOID ANY WARRANTY.

It is the responsibility of the purchaser to ensure that the incoming water supply is compliant with the listed specifications through adequate treatment measures.

**Line pressure:** Drinking water inlet: 3/4" NPT\*, line pressure: 22 to 87 psi; 1.5 to 6 Bar (29 psi; 2 Bar recommended)

### Inflow water specifications

|                         |              |
|-------------------------|--------------|
| Free chlorine           | ≤ 0.5 ppm    |
| Chloramine              | ≤ 0.1 ppm    |
| pH                      | 7 - 8.5      |
| Electrical conductivity | ≤ 1000 μS/cm |
| Total hardness          | ≤ 30° dH     |
| Chlorides               | ≤ 120 ppm    |

### Steam circuit: inflow water specifications

|                |          |
|----------------|----------|
| Total hardness | ≤ 8 °dH  |
| Chlorides      | ≤ 25 ppm |

To avoid the formation of limescale the incoming water must have total hardness ≤ 8°dH.

\*This value refers to daily steam cooking of 1-2 hours. In any case, if with a total hardness ≤ 8°dH there is still production of limescale, it is mandatory to treat the water in order to avoid limescale production. Unox recommends water treatment systems based on ion exchange resins. Water treatment systems based on polyphosphate are not allowed.

## Installation requirements

Installations must comply with all local electrical systems, particularly as for minimum wire gauge required for field connection, hydraulic and ventilation supply. Exhaust and fume analysis must be performed in case of gas ovens.

Register to DDC Service to access data and product specifications.  
[www.ddc.unox.com](http://www.ddc.unox.com)