

Model
**BAKERTOP MIND.Maps™ ONE
 COUNTERTOP**

- Combi steamer
- Electric
- 4 trays 600x400
- Hinged right (left hand door)
- 7" Touch control panel



STANDARD COOKING FEATURES

Manual cooking

- **Temperature:** 30 °C – 260 °C
- Up to 9 cooking steps
- **CLIMA.Control:** humidity or dry air set by 10%
- Delta T cooking with core probe

Programs

- 1000+ programs
- **MIND.Maps™:** draw the cooking processes directly on the display

STANDARD TECHNICAL FEATURES

- **ROTOR.Klean™:** automatic washing system
- Cooking chamber in high-resistance AISI 304 stainless steel with rounded edges
- Double glass
- Cooking chamber lighting through LED lights embedded in the door
- Tray supports with anti-tipping system
- Drip collection system integrated in the door and functional even with the door open
- 4-speed fan system and high-performance circular resistance
- Integrated DET&Rinse™ detergent container
- **Wi-Fi / USB data:** download/upload HACCP data
- **Wi-Fi / USB data:** download/upload programs

DESCRIPTION

Technologically advanced combi oven for fresh or frozen baking processes and for gastronomy cooking processes (dehydrating, steaming, low temperature baking, sous vide cooking, roasting, grilling, pan frying, regeneration and plated regeneration) thanks to the Unox Intensive Cooking and Intelligence Performance technologies which guarantee perfect results and repeatability for any load size. Automatic management of cooking processes (CHEFUNOX) for perfect results even without a trained staff.

ADVANCED AND AUTOMATIC COOKING FEATURES

Unox Intensive Cooking

- **DRY.Maxi™:** rapidly extracts the humidity from the cooking chamber
- **STEAM.Maxi™:** produces saturated steam
- **AIR.Maxi™:** manage fans auto-reverse and pulse function
- **CLIMALUX™:** total control of the humidity in the cooking chamber

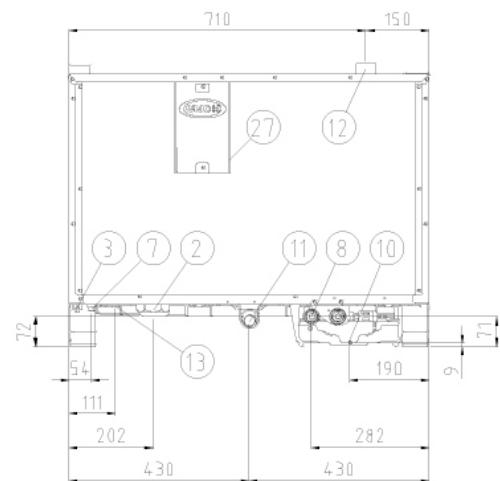
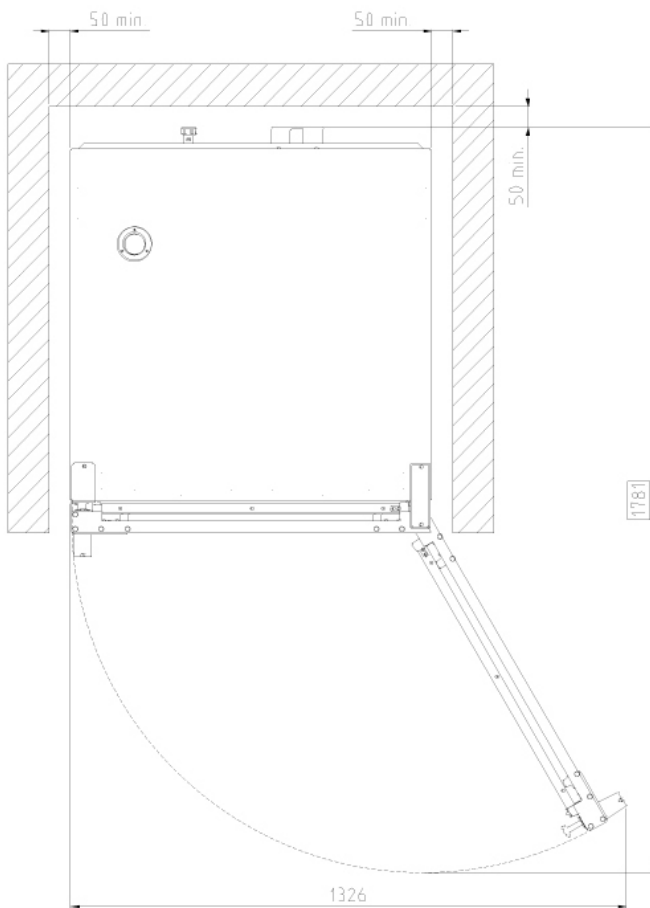
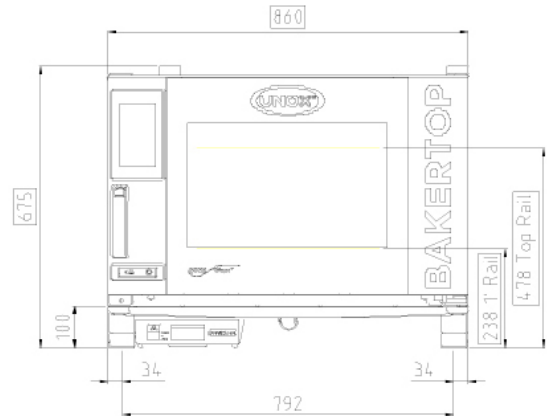
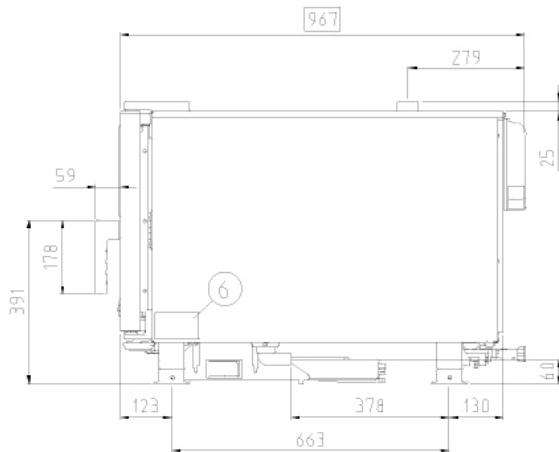
Data Driven Cooking

- Control and monitor the operating conditions of your ovens in real-time, create and share new recipes. The AI transforms the consumption data into useful information in order to increase your daily profit. Create, understand, improve

APP & WEB SERVICES

- Data Driven Cooking app & webapp
- Top Training app
- Combi guru App

XEBC-04EU-E1LM



DIMENSIONS AND WEIGHT

Width	860 mm
Depth	967 mm
Height	675 mm
Net Weight	90 kg
Pan spacing	80 mm

CONNECTION POSITIONS

2	Terminal board power supply	10	Rotor.KLEAN™ connection
3	Unipotential terminal	11	Cavity drain pipe
6	Technical data plate	12	Hot fumes exhaust chimney
7	Safety thermostat	13	Accessories connection
8	3/4" Thread water inlet	27	Cooling air outlet

XEBC-04EU-E1LM

POWER SUPPLY

STANDARD

Voltage	380-415 V
Phase	3PH+N+PE
Frequency	50-60 Hz
Total power	7.4 kW
Maximum Amp Draw	13 A
Required breaker size*	20 A
Power cable requirement	H07RN-F 5G 2.5 mm ²
Cord diameter	13,96 mm
Plug	NOT INCLUDED

OPTION A

Voltage	220-240 V
Phase	3PH+PE
Frequency	50-60 Hz
Total power	7.4 kW
Maximum Amp Draw	22,7 A
Required breaker size*	25 A
Power cable requirement	H07RN-F 5G 2.5 mm ²
Cord diameter	13,96 mm
Plug	NOT INCLUDED

WATER SUPPLY

USING A WATER SUPPLY NOT MEETING UNOX'S MINIMUM WATER QUALITY STANDARDS WILL VOID ANY WARRANTY.

It is the responsibility of the purchaser to ensure that the incoming water supply is compliant with the specifications listed through adequate treatment measures.

Line pressure:	Drinking water inlet: 3/4" NPT*, line pressure: 22 to 87 psi; 1.5 to 6 Bar (29 psi; 2 Bar recommended)
----------------	--

Inflow water specifications

Free chlorine	≤ 0.1 ppm
Chloramine	≤ 0.1 ppm
pH	7 - 8.5
TDS	≤ 125 ppm
Electrical conductivity	≤ 1000 µS/cm

Steam circuit: inflow water specifications

Total hardness (TH)	≤ 8 °dH (142 ppm)
Chlorides	≤ 25 ppm

To avoid the formation of limescale the incoming water must have total hardness ≤ 8°dH (142 ppm).

Wash circuit: inflow water specifications

Total hardness (TH)	≤ 30 °dH (534 ppm)
Chlorides	≤ 120 ppm

OPTION B

Voltage	220-240 V
Phase	3PH+PE
Frequency	50-60 Hz
Total power	7.4 kW
Maximum Amp Draw	32 A
Required breaker size*	32 A
Power cable requirement	H07RN-F 3G 4 mm ²
Cord diameter	13,96 mm
Plug	NOT INCLUDED

ACCESSORIES

- **DET&Rinse™ PLUS:** cleaning and rinse agents to combine maximum cleanliness with minimum consumption and long life for your oven
- **DET&Rinse™ ECO:** eco formula for daily cleaning and the utmost respect for the environment. Ideal for mild level of dirt.
- **Ventless hood:** steam condensing hood
- **Waterless hood:** filters odors and absorbs latent heat from the exhausts pipes without using water
- **Baking Essentials:** special trays
- **QUICK.Load** and trolley system
- **PURE:** the filter reduces the carbonate hardness in water, thus avoiding scale deposits inside the oven cooking chamber
- **PURE-RO:** reverse osmosis system that eliminates Chlorides and limescale from water
- **Wi-Fi:** Connection board to keep the oven connected to UNOX cloud mandatory to extend warranty

INSTALLATION REQUIREMENTS

Installations must comply with all local electrical systems, particularly as for minimum wire gauge required for field connection, hydraulic and ventilation supply. Exhaust and fume analysis must be performed in case of gas ovens.

Register to access data and product specifications
infonet.unox.com

