


 BEST
 SELLER

ELITECH LINE EL60E

| | |
|--------|-------------------------|
| TYPE | Pass-through dishwasher |
| LINE | ELITECH LINE |
| BASKET | 500x500 |
| SIZE | 620x770x1435/1900h |

The dishwashers of the ELITECH line ensure maximum performance thanks to the standard Acquatech System which, through an atmospheric boiler and rinse pump, maintains constant temperature and pressure and optimum water consumption. Elitech ensures a sanitising rinse cycle and proves to be the perfect choice for canteens, nursing homes, pastry shops, bakers and butchers where compliance with HACCP rules is essential. For those who seek glass perfection, it is possible to connect a Reverse Osmosis System which purifies water and reduces detergent and rinse-aid consumption, ensuring excellent results and perfect glasses without the need for hand drying. The innovative UNIKO tempered glass touch screen display makes any operation simple and intuitive, from the choice of most suitable wash cycle to its progress control, as well as constantly monitor the dishwasher state with ease. The large variety of wash cycles makes the dishwasher customisable according to your needs. Constant self-diagnosis allows you to minimise machine downtime, promptly warning the technician thanks to the Wi-Fi IKLOUD control system that gives the possibility to act remotely to change the dishwasher parameters and resolve the situation in real-time.

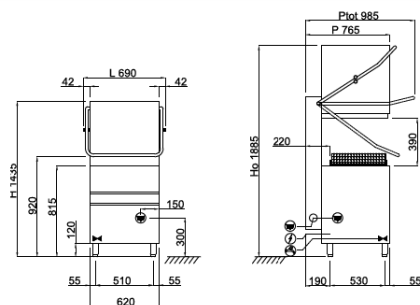
The EL60E hood type dishwasher is the right solution for businesses that are faced with the washing of different types of dishes, proving capable of washing glasses, dishes, medium sized objects up to 500x500x390(h)mm and GN 1/1 baking trays in only 620 mm wide, ensuring a maximum productivity of 60 baskets/hour (1080 dishes/hour). The hood type models are fitted with an easily removable basket support for easy cleaning and a rounded moulded tank with integral filters for perfect draining and absolute hygiene. The "PUSH TO START" cycle start system ensures less waste preventing the start of empty washes. The Reverse Osmosis System, the suitable detergents and the tilted basket make the EL60E model excellent for treating your glasses gently.


The electronic control allows you to manage various parameters to give you an absolute customisation level and the continuous self-diagnosis allows you to minimise machine downtime, suggesting some operations to be verified. The self-cleaning cycle at the end of the day cleans the wash tank and empties the boiler from the hot water, preventing limestone forming inside. The standard double peristaltic electric rinse-aid and detergent dispenser ensures the best result from each wash cycle with great savings thanks to the precise dosage managed by the electronic card; whereas, the moulded washing and rinsing arms ensure great reliability and durability. The Thermo-stop function checks that washing and rinsing begin only when the desired temperature is reached. The bodywork is made entirely of AISI 304 steel and has been designed with all components in the front to allow easy technical assistance. Sturdy and reliable dishwashers to best deal with every moment of your day.


| DISHWASHERS FEATURES | ELITECH LINE EL60E |
|--|----------------------|
| Dimensions - (mm) L - P - H | 620x770x1435/1900h |
| n° baskets/hour - (+55°C) | Max 60 |
| Height glass max | 390mm |
| Ø height plate max | 415mm |
| Height pot max | 390mm |
| LT bread basket | 40 (H=390mm) |
| Trays | GN1/1 |
| Tank heating element - Tank capacity | 4,5kW - 37lt |
| Boiler heating element - Boiler capacity | 5,4kW - 7,3lt |
| Washing pump | 1,34Kw / 1,8 Hp |
| Total power input / Current | 6,74 kW / 16A |
| Standard input voltage | 400V3N+T / 230V 50Hz |
| Recommended inlet water temperature | +55°C |
| Water hardness | 7÷10 °f |
| Water consumption per cycle (inlet suggested pressure 2 BAR) | 2,0lt GUARANTEED |
| Adjustable detergent and rinse-aid dispenser | ELECTRIC |
| Acquatech system rinse | si |
| STANDARD EQUIPMENT | |
| Basket for glasses dim.500x500x100mm | 1 |
| Basket for 18 dishes dim.500x500x100mm | 2 |
| 8 division cutlery insert | 1 |
| Integral tank filter | 2 |
| ACCESSORIES | |
| UNIKO touch display with IKLOUD Wi-Fi control | ● |
| Input voltage 230V/3+T | ● |
| Booster pump kit 0,5Hp | - |
| Drain pump kit 40W | ● |
| Boiler heating element 4,5kW | ● |
| Boiler heating element 9kW | ● |
| Stainless steel tank filter kit for rack dishwasher 500x500 | ● |
| Reverse osmosis system | ● |
| Modular basket for wine glasses 500mm | ● |
| Basket for trays with 4 compartments dim.500x500x200mm | ● |
| Inclined basket for wine glasses dim.500x500x170mm | ● |
| Kit 4 Stainless steel feet 50-70mm | - |
| Remote control with LCD display | ● |


● INSTALLABLE ACCESSORY, - NOT INSTALLABLE ACCESSORY

EL60E



 400V3N+T 6,52kW
L=1950 (5 POLES)

 G 3/4" M
L=1200

 Ø25x30
L=1550