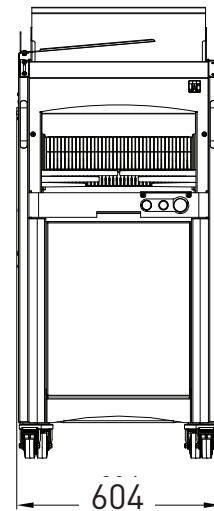
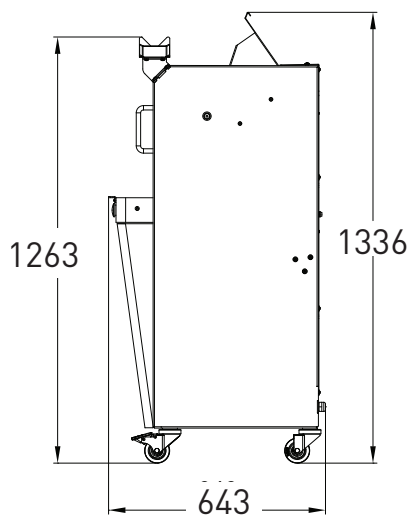


Self-service frame slicers

SELF+

- ✓ Depth reduced to minimise space requirements
- ✓ Simple to use thanks to the rear cover starting the automatic cutting cycle
- ✓ Removable, ergonomic crumb collector
- ✓ Handles for easy handling of the machine
- ✓ Front bumper to protect the machine

Up to 250 loaves an hour





Intelligent Slicing Concept (JAC patent)

Continuous automatic control system that slices loaves according to their consistency. This allows open textured, crusty and dense breads to be sliced with equal efficiency.



Front bumper
Protects the machine



Rear safety cover

Closing it initiates the slicing process and the machine stays mechanically and electrically locked during cutting.



Option

Daily adding counter

Tells the user how many loaves have been cut for maintenance interval monitoring purposes.



Removable crumb collector

Accessible by tilting the front, cylinder-assisted door. Perfectly safe 18 litre capacity.



Option

4cm height adjustment

Increases working comfort for tall operators.

FEATURES

SELF+ 450

Max. loaf dimensions in cm (L x W x H)	44 x 31 x 16
Motor power in kW	0.49
Net weight (in kg)	155
Blade type and dimensions in mm	13 x 0.5 steel

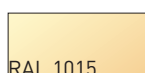
CHOICES

Slice thickness in mm	12 - (Norway)
Loaf pusher height	Extra low (50mm) Low (80mm) High (100mm)
Type of motor	230V single phase 230V three-phase 400V three-phase
Standard colour*	•

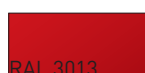
OPTIONS

Heavy duty motor	•
4 cm height adjustment	•
Users explanatory notice	•
Daily adding counter	•
Daily adding counter with reset function	•
Special colour	•
Special blades	•

*STANDARD COLOURS



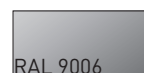
RAL 1015



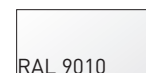
RAL 3013



RAL 9005



RAL 9006



RAL 9010